

Tel: 800-643-1514

www.alumaxshowerdoor.com

300cv SERIES FRAMELESS SHOWER DOOR



!WARNINGS!

INSTALLATION WARNINGS

- a) Alumax Bath Enclosures by Sapa are intended to be installed by an experienced installer. If you need assistance with locating an experienced installer, contact us at 1.800.643.1514 or go to our website www.alumaxshowerdoor.com to access our "dealer locator". If a dealer is not listed in your area, call or send us an e-mail and we will find one for you.
- b) The enclosure must be properly installed per our published installation instructions. If NOT, the unit will not operate as designed which will cause hardware failure, glass breakage, leaking, other unidentified issues, and may cause nullification of warranty.
- c) Unpack your unit carefully and inspect for freight damage. Lay out and identify all parts using the instruction sheets as a reference. Before discarding the carton, check for small hardware bags that tend to fall into the bottom of the box. If any parts are damaged or missing, refer to the descriptions noted in the instructions when contacting your dealer for replacements.
- d) Before beginning installation, check the tub rim for level and both walls for plumb. If either is off more than ¼" to 3/8", you should use a tapered filler which can be used to level the tub track or plumb the wall jambs.
- e) Wear safety glasses when drilling or cutting to avoid injury to the eyes.
- f) When drilling holes in ceramic tile or marble, use a center punch and hammer to carefully break the surface glaze so the drill can start without skidding. A skidding drill can cause damage to the surface and can be dangerous (risk of personal injury).
- g) Use caution and proper technique whenever using tools to avoid damage to property and/or personal injury.

GENERAL USAGE AND HANDLING WARNINGS

- a) Shower doors are not leak-proof. They are designed to direct water to the interior of the tub or shower under normal conditions. Excessive water pressure or directing the shower head directly at the door can result in leaks.
- b) Do not hang on towel bars or handles or use them to support your weight getting in and out of the bathtub or shower. Towel bars and handles are not intended to be used as grab bars for assistance getting in and out of the shower or bathtub. They are not intended to support a person's weight and could break.
- c) Do not use excessive force when opening and closing the enclosure. Excessive force can lead to glass breakage or other damage to the enclosure. Make sure wall jamb bumpers are securely fastened in place per the installation instructions.

GLASS USAGE AND HANDLING WARNINGS

- a) **TEMPERED GLASS CANNOT BE CUT.** Attempting to cut tempered glass will result in the glass breaking or shattering.
- b) **USE CAUTION WHEN HANDLING GLASS PANELS.** Safety tempered glass is very resistant to breakage, but it can still break if unequal pressure is placed on it during installation (or if cutting of the glass is attempted). In addition, the sharp corners of the panels can damage tile and floor coverings or cause injury.
- c) **PROTECT THE EDGES OF THE GLASS.** Never let the edge of the glass come in direct contact with concrete, tile, marble or other hard surfaces that may nick, or damage the glass edge in any way as this damage may cause a delayed blow. Always check the edge of the glass for nicks, slivers, rough areas, or clam shelling. Do not install the glass if these conditions are present.
- d) Alumax Bath Enclosures by Sapa is not liable for glass breakage of any kind.

CARE AND CLEANING WARNINGS

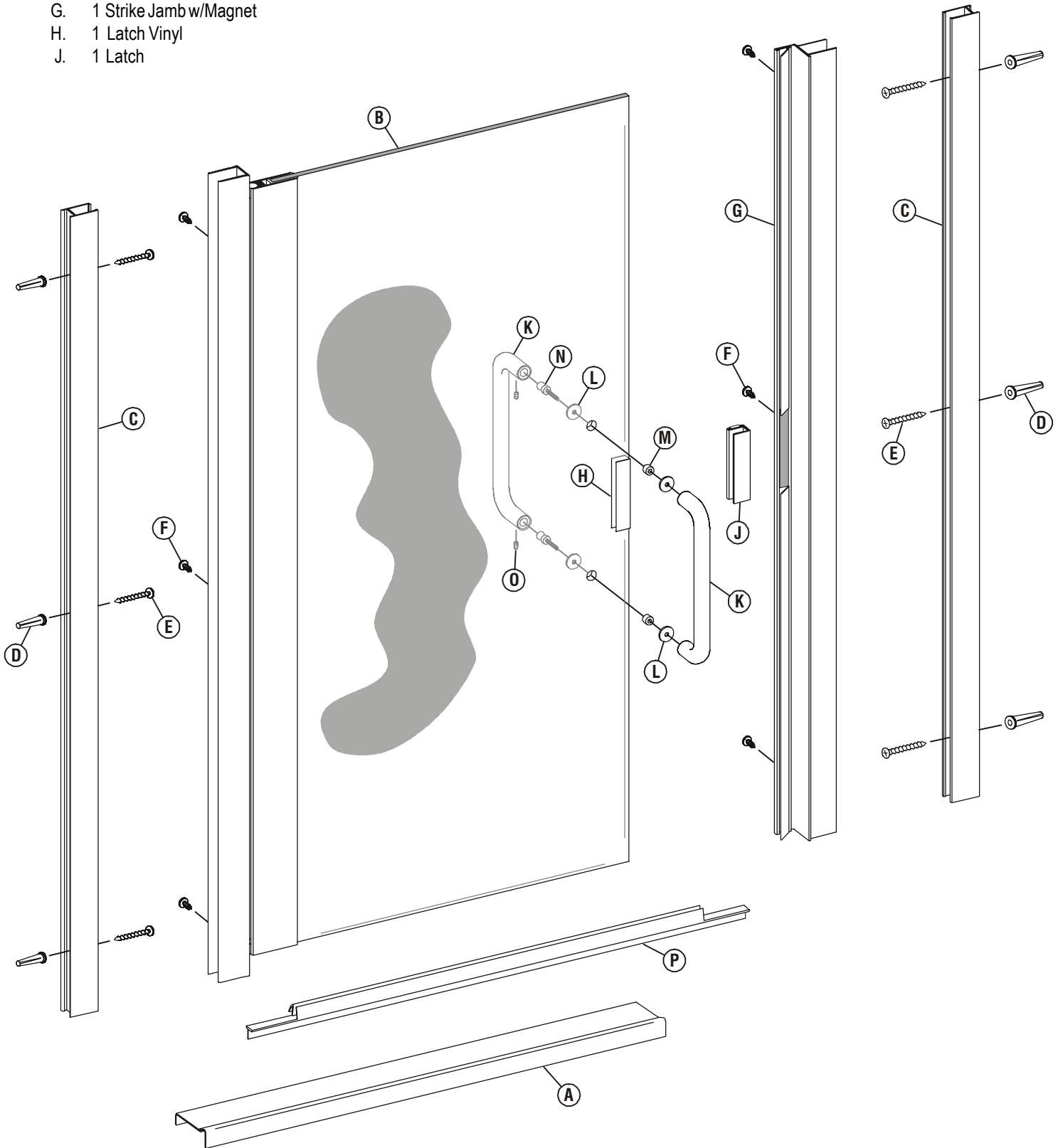
- a) The simplest and preferred method of cleaning your unit is by washing it with clean water and drying with a soft cloth.
- b) If soil is still present after drying, a non-abrasive cleanser with a pH of seven to eight may be used. Comet Bathroom Cleaner® has been tested and is recommended by the Bath Enclosure Manufacturers Association (BEMA).
- c) Contact your dealer for more information about glass coatings that will help keep the glass clean.
- d) **DO NOT USE SCOURING PADS, SHARP INSTRUMENTS, BLEACH OR ACID-BASED CLEANSERS TO CLEAN THE UNIT AS THEY MAY DAMAGE THE UNIT.**

LIMITED WARRANTY

- a) Alumax Bath Enclosures by Sapa provides a LIMITED WARRANTY on material and workmanship only. Primary glass and component suppliers must be included in all warranty claims.
- b) Alumax Bath Enclosures by Sapa is not responsible for glass breakage.
- c) Products must be handled, installed and maintained per our published Warning and Installation instructions or the warranty may be nullified.
- d) The Limited Warranty applies to the original owner only, and is not transferable.
- e) Please visit our website www.alumaxshowerdoor.com or call us at 1.800.643.1514 to get copies of our published warranty, installation and warranty policies.

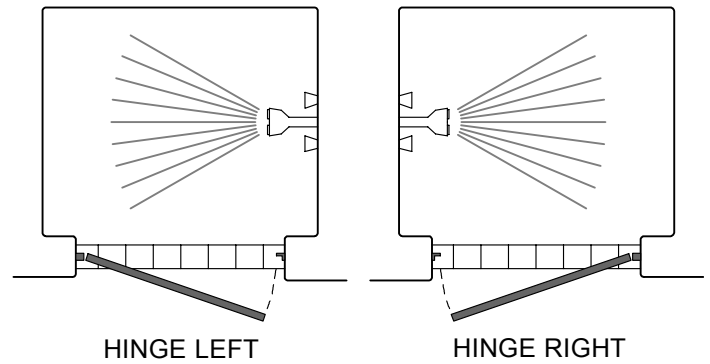
300cv PARTS LIST

- | | |
|------------------------------------|-----------------------|
| A. 1 Shower Curb | K. 2 Tubular Handles |
| B. 1 Glazed Door Panel Assembly | L. 4 Plastic Washers |
| C. 2 Wall Jamb | M. 2 Plastic Bushings |
| D. 6 Plastic Wall Anchors | N. 2 Cone Head Bolts |
| E. 6 #8 x 1 1/2" Truss Head Screws | O. 2 Set Screws |
| F. 6 #6 x 3/8" Pan Head Tek Screws | P. 1 Deflector |
| G. 1 Strike Jamb w/Magnet | |
| H. 1 Latch Vinyl | |
| J. 1 Latch | |



1 The Alumax 300cv Continuous Hinge Shower Door is completely reversible and may be installed hinge-left or hinge-right. Refer to the illustration to determine the correct position for your installation. For maximum waterproofing, the hinge jamb should always be opposite the shower head. These instructions depict a hinge-left installation.

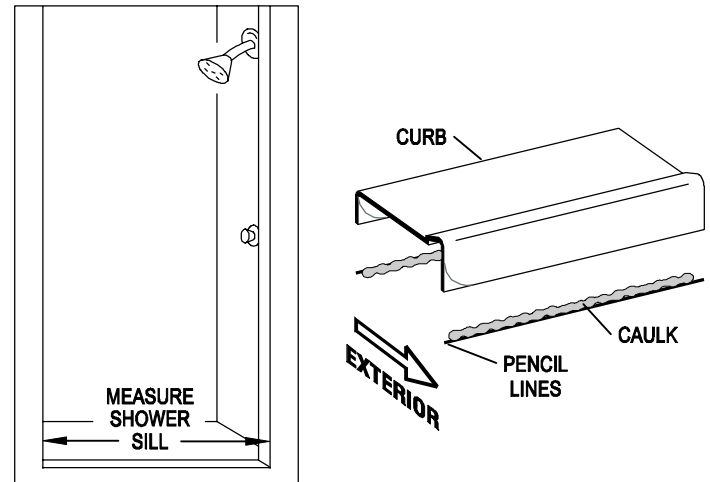
CAUTION: For safety, the door must always open outward.



2 NOTE: The 300cv unit may be installed without using the sloped curb [A] provided. Its use is definitely recommended for positive water control on shower sills with little or no slope.

Measure the wall-to-wall opening at the shower sill and cut the curb to the exact length. File the ends of curb as necessary to fit the corner contours of the enclosure. Place the curb on the shower sill with the raised portion to the exterior of the enclosure. Make sure the curb is centered on the sill and lightly mark its position on the sill with a pencil.

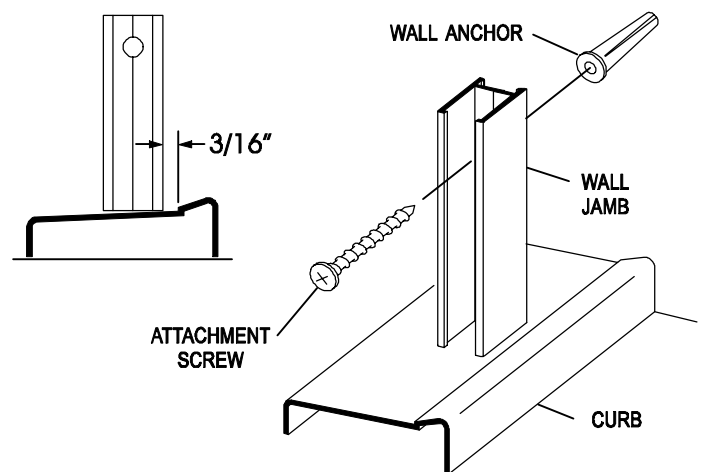
Remove the curb from the sill and run two beads of caulk inside the penciled marks on the shower sill. Place the curb in the exact position marked and seat it firmly in the caulking.



3 Cut one wall jamb [C] to the same length as the strike jamb [G]. Place the wall jamb [C] just cut against the strike side wall with the bottom end $3/16$ " from the raised side of the curb [A]. Plumb the jamb and mark the hole locations on the wall. Repeat for the other wall jamb. Remove all parts and drill the walls for mounting hardware.

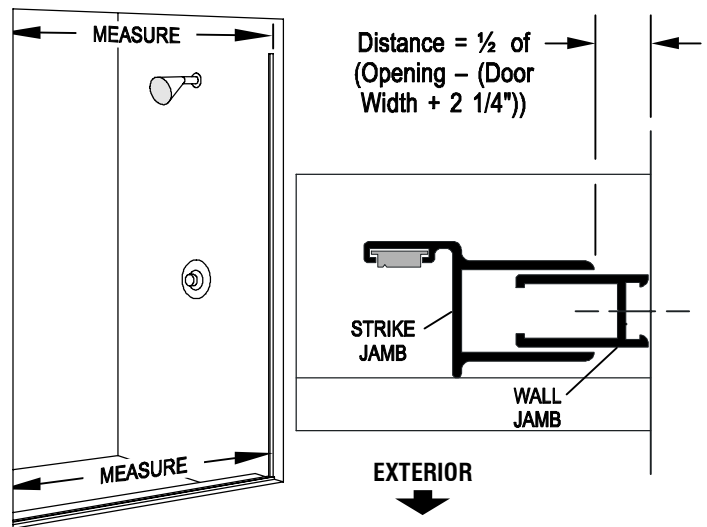
For tile or marble walls, drill six $3/16$ " diameter holes and insert the plastic wall anchors [D]. Attachments to fiberglass or acrylic units can be made in two ways. If a reinforcement is built into the wall of unit, drill six $1/8$ " holes and install mounting screws directly into the reinforcement. If walls are not reinforced, drill $3/16$ " holes and install plastic wall anchors or toggle bolts (toggle bolts not supplied by Alumax).

Replace each wall jamb and attach them to the wall with three #8 x $1\ 1/2$ " truss head screws [E].

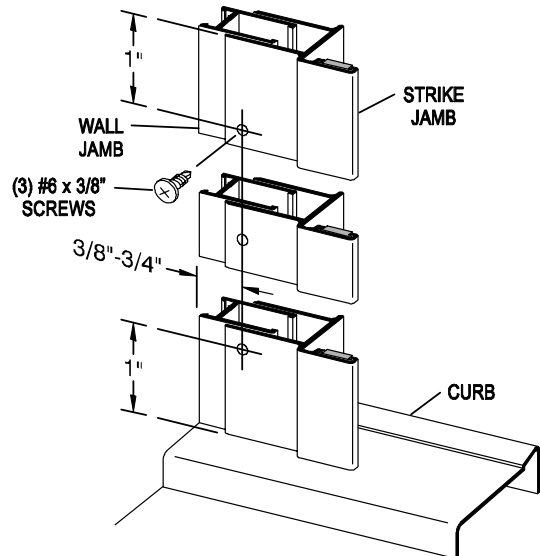


4 Slide the strike jamb [G] over one of the mounted wall jambs [C] with the magnet facing outward.

Measure the wall-to-wall opening at the top and at the bottom of the wall jambs and note the smaller dimension. Measure the entire width of the door panel [B] from the outside edge of the side rail to the edge of the glass on the strike side. Add 2 1/4" to the door width, subtract the total from the minimum wall-to-wall opening and divide the result by two. This should be the distance from the wall to the strike jamb at the closest point. Plumb the strike jamb vertically and mark its location on the wall jamb with a pencil.

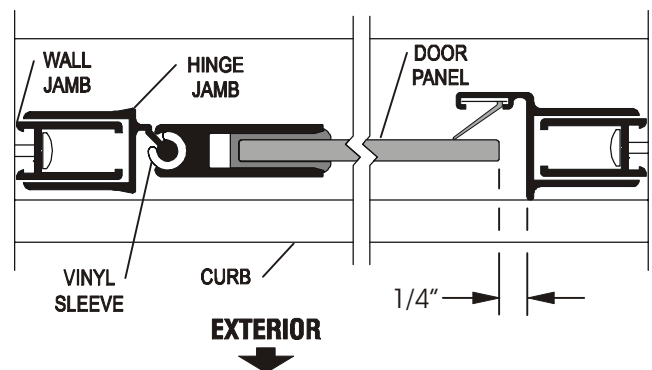


5 Inside the shower enclosure, drill two 1/8" holes thru the strike jamb [G] and into the wall jamb [C] 3/8" to 3/4" from the wall and approximately 1" vertically from each end of the strike jamb. Drill a third hole centered between the first two, then enlarge the three outer holes with a 3/16" drill for clearance on the self-tapping screws. Attach the strike jamb permanently with three #6 x 3/8" pan head screws [F].

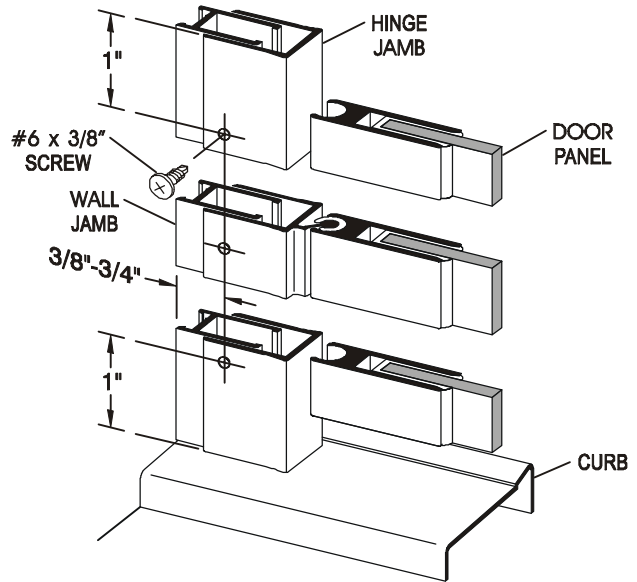


6 Slide the hinge jamb of the door panel assembly [B] over the mounted wall jamb [C] so the door will open outward.

Adjust the door panel assembly so there is 1/4" clearance between the strike jamb and the strike edge of the glass door panel in the closed position. Mark the location of the hinge jamb on the wall jamb with a pencil.



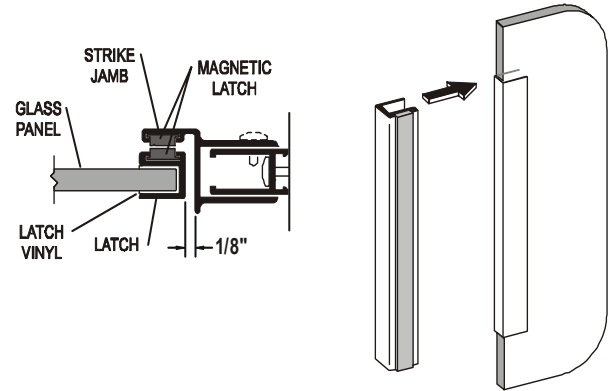
7 Inside the shower enclosure, drill two 1/8" holes thru the hinge jamb and into the wall jamb [C] 3/8" to 3/4" from the wall and approximately 1" vertically from each end of the hinge jamb. Drill a third hole centered between the first two, then enlarge the three outer holes with a 3/16" drill for clearance on the self-tapping screws. Attach the door panel assembly permanently with three #6 x 3/8" pan head screws [F].



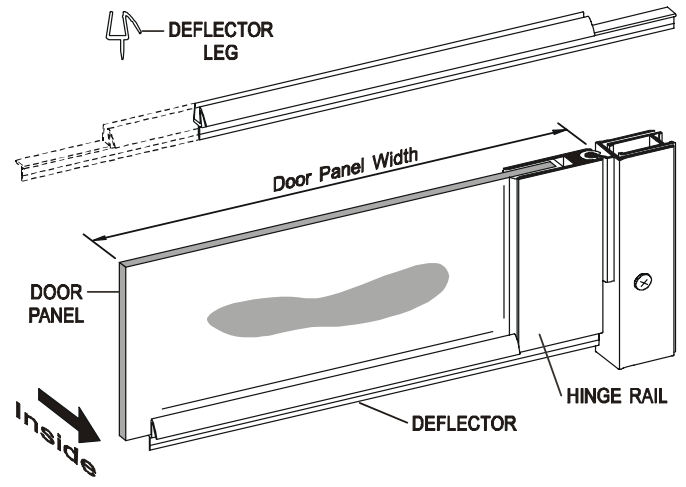
8 Slide the latch [J] with magnet onto the strike edge of the door panel. Close the door and slide the latch up or down until the two magnetic strips are aligned. Use a pencil or masking tape to mark the location of the latch on the door.

Wrap the latch vinyl [H] over the edge of the door glass between the marks and carefully drive the door latch onto the door panel. Spraying glass cleaner or water onto the vinyl will make assembly easier.

Close the door and check for proper operation of the magnetic catch.

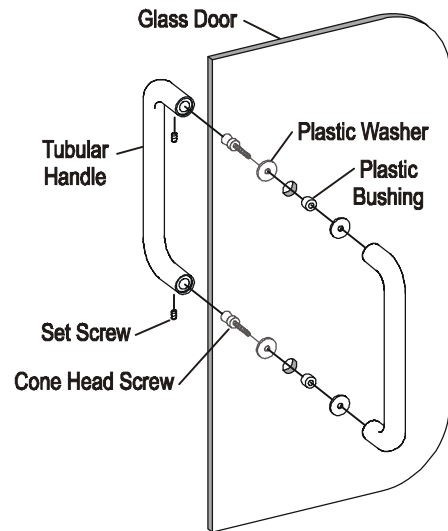


9 Determine the desired handing of the deflector [P]. The deflector leg must go to the inside of the unit and the notch fits under the hinge rail as shown in the drawing at right. To determine the door panel width measure the distance from the edge of the hinge rail to the far edge of the glass door panel. The deflector should be cut to Door Panel Width - 7/16". Press the deflector firmly on the bottom edge of the glass as shown.



10

Locate the handle [K] that has no Set Screws. Place a Plastic Bushing [M] in the top handle hole then place a Plastic Washer [L] against the glass. Place the handle without Set Screws against the Plastic Washer and insert the threaded end of the Cone Head Screw [N] through the bushing into the threaded insert in the end of the handle and tighten. Repeat the procedure for the bottom hole. Place Plastic Washers [L] against the opposite side of the glass and press the remaining handle [K] over the end of the Cone Head Screw. While holding the handles firmly against the glass tighten the Set Screws [O].



11

Neatly caulk the inside perimeter of the shower curb and the wall jambs.

NOTE: Improper caulking will result in leaks.

NOTE: The caulking should be allowed to cure for twenty-four hours before using your new shower enclosure.

